



***PostalOne! - FAST  
Web Services  
Technical Guide***

**Version 5.1.5**

**(Old Name of this Document – *PostalOne! – FAST IDEAlliance Appendix*)**

Network Operations Management Systems Portfolio

USPS Program Manager: Carla Siniscalchi (202) 268-4059

Assurety Consulting Inc. Point of Contact: Shariq Mirza (703) 292-4106

Accenture Point of Contact: Eben Joel (703) 947-1911

# Table of Contents

<b>1.0</b>	<b>POSTALONE! – FAST WEB SERVICES .....</b>	<b>3</b>
1.1	OVERVIEW .....	3
1.2	MESSAGES .....	3
	<i>Messages Supported for TM Spec Version 2.0.....</i>	<i>3</i>
	<i>Messages Supported for Mail.XML Version 4.0 .....</i>	<i>3</i>
	<i>Messages Not Supported .....</i>	<i>4</i>
	<i>TM Specification 2.0 .....</i>	<i>5</i>
	<i>Mail.XML™ 4.0 Specifications .....</i>	<i>6</i>
1.3	ADDITIONAL RULES/CONSTRAINTS .....	8
1.4	MULTISTOP SUPPORT .....	16
	<i>FAST Online Application.....</i>	<i>16</i>
	<i>Web Services.....</i>	<i>16</i>
1.5	ERROR CODES/RETURN VALUES .....	17
1.6	WARNING CODES AND DESCRIPTIONS .....	22
1.7	FAULT CODES .....	25
1.8	WEB SERVICE ADDITIONAL CONSTRAINTS .....	25
1.9	APPOINTMENT RESPONSE RETRIEVAL REQUEST PROCESSING .....	26
1.10	POSTALONE! WSDL INFORMATION .....	26
1.11	SCHEDULERCONTENTID .....	26
1.12	CLOSEOUT MESSAGES .....	26
1.13	MAIL.DAT RECURRING CONTENT NOTIFICATION .....	27
1.14	DELIVERY CONTENT QUERY MESSAGE DEFAULT VALUES.....	27
1.15	APPOINTMENT SHELL CANCELLATION MESSAGES .....	27
1.16	POSSIBLE FUTURE ENHANCEMENTS .....	28

## 1.0 **PostalOne! – FAST Web Services**

### 1.1 **Overview**

The purpose of the *PostalOne!*® - FAST Web Services Technical Guide is to supplement the IDEAlliance® Mail.dat® Transportation Management (TM) Specification with specific information regarding the USPS® implementation. Not all of the messages from the Mail.dat TM Specification are currently supported by the USPS implementation. In addition, only specific values for several fields, such as Mail Class, are supported. This document serves as the collection of all specific rules, standards, accepted values, error messages, etc. regarding the USPS implementation.

### 1.2 **Messages**

#### **Messages Supported for TM Spec Version 2.0**

- Delivery Appointment Query Request
- Delivery Appointment Request
- Delivery Appointment Update Request
- Delivery Appointment Cancellation Request
- All Delivery Appointment Closeout Request – This message is currently only supported from the Shipper to the Consignee. The Consignee will not send this message directly to the Shipper. (FAST shall return the ConsigneeGoodsReceipt or UnscheduledConsigneeGoodsReceipt)
- Appointment Response Retrieval Request
- Delivery Appointment Content Create Request
- Delivery Appointment Content Update Request
- Delivery Appointment Content Cancel Request
- Delivery Appointment Shell Request (Only 'OneTimeAppt' is supported. 'RecurringAppt' is not currently supported.)
- Delivery Appointment Shell Update Request (Only 'OneTimeAppt' is supported. 'RecurringAppt' is not currently supported.)
- Delivery Appointment Shell Cancel Request (This message is supported by FAST; however, Appointment Shells must be cancelled using the Delivery Appointment Cancellation Request Message.)
- Delivery Content Query Request

#### **Messages Supported for Mail.XML Version 4.0**

- Delivery Appointment Query Request
- Delivery Appointment Create Request
- Delivery Appointment Update Request
- Delivery Appointment Cancellation Request
- All Delivery Appointment Closeout Request – This message is currently only supported from the Shipper to the Consignee. The Consignee will not send this message directly to the Shipper.(FAST shall return the ConsigneeGoodsReceipt or UnscheduledConsigneeGoodsReceipt)
- Appointment Response Retrieval Request

- Delivery Content Create
- Delivery Content Update Request
- Delivery Content Cancel Request
- Delivery Appointment Shell Request ('OneTimeAppt' and 'RecurringAppt' are supported.)
- Delivery Appointment Shell Update Request ('OneTimeAppt' and 'RecurringAppt' are supported.)
- Delivery Appointment Shell Cancel Request (This message is supported by FAST; however, One Time Appointments with associated content must be cancelled using the Delivery Appointment Cancellation Request Message.)
- Delivery Content Query Request
- Recurring Appointment Query Request

### **Messages Not Supported**

- Open Appointment Query Request – Although this message is not currently supported, the FAST online application will support the ability to perform similar searches for a range of dates for a specific Appointment type or a range of Appointment types for a specific date. Please refer to the *FAST User Guide* for more detail.
- Delivery Appointment Multistop Update Request – See Section 1.3, Additional Rules/Constraints for a further details about supported Multistop functionality.
- Delivery Re-Appointment Request
- Delivery Appointment Status Request
- Delivery Appointment Cancel Create Request
- All Pickup Appointment Closeout Request
- Appointment Induction Closeout Request
- Cast of Characters Create/Update/Cancel Request
- Container Acceptance Status Request
- Copalletization Container Linkage Create/Cancel Request
- Customer Relation Identification Query/Update Request
- Delivery Multiple Content Cancel Request
- Delivery Appointment Transportation Update Request
- Maildat Container Update Request
- Partner Appointment Query Request
- Pickup Appointment Create/Update/Cancel Request
- Sibling Container Create/Cancel Request
- USPS Forecast Create/Update/Cancel Request
- All messages using TM Spec Version 1.1

## TM Specification 2.0

### Messages Supported by the *PostalOne!* system and FAST in TM Specification 2.0

The *PostalOne!*-FAST Mail.XML Web Services will support the following groups of messages in TM Specification 2.0:

#### Delivery Appointment Messages

This family of TM messages supports scenarios where a Shipper requests a Delivery Appointment from the Consignee. The Consignee may respond a number of ways, all of which are supported by messages from this message family. Delivery appointment messages will:

- Provide the ability to create, update, and cancel drop ship appointments
- Provide the ability to query the availability of slots for drop ship appointments
- Ability to provide the Intelligent Mail Container Barcodes (IMCB) associated to the appointment

#### Delivery Appointment Messages

DeliveryApptRequest / DeliveryApptResponse

DeliveryApptUpdateRequest / DeliveryApptUpdateResponse

DeliveryApptCancelRequest / DeliveryApptCancelResponse

DeliveryApptQueryRequest / DeliveryApptQueryResponse

#### Delivery Content Messages

This family of TM messages supports scenarios where the *PostalOne!* system sends content information to FAST without sending any appointment level information. The Consignee may respond a number of ways, all of which are supported by messages from this message family. These sets of messages apply for scheduling of drop ship appointments only.

Delivery Content messages provide the:

- Ability to create, update, and cancel contents for one-time appointments.
- Ability for schedulers to query for content created by other mail owners/mail preparers
- Ability to provide the Intelligent Mail Container Barcodes (IMCB) associated to the appointment

#### Delivery Content Messages

DeliveryApptContentCreateRequest / DeliveryApptContentCreateResponse

DeliveryApptContentUpdateRequest / DeliveryApptContentUpdateResponse

DeliveryApptContentCancelRequest / DeliveryApptContentCancelResponse

DeliveryApptContentQueryRequest / DeliveryApptContentQueryResponse

#### Appointment Shell Messages

This family of TM messages enables mailers to create appointment shells (appointments with no associated content). Mail owners and mail preparers can use the Delivery Content Messages to create and associate content to appointment shells. This family of messages allows for joint scheduling between schedulers and mail owners and mail preparers. Appointment Shell messages will provide the:

- Ability to create, update, and cancel one-time appointments shells
- Ability to update the logistics information of an appointment by utilizing the appointment shell update message

Appointment Shell Messages

DeliveryApptShellRequest / DeliveryApptShellResponse  
DeliveryApptShellUpdateRequest / DeliveryApptShellUpdateResponse  
DeliveryApptShellCancelRequest / DeliveryApptShellCancelResponse

Appointment Closeout Messages

This series of messages is pushed from the Consignee to the Shipper closeout an appointment. Closeout Messages will provide the:

- o Ability to send closeout information for drop ship appointments
- o Ability to communicate arrival date/time, unload start date/time, unload end date/time, and actual pallet counts

Appointment Closeout Messages

AllDeliveryAppointmentCloseoutRequest  
ConsigneeGoodsReceipt  
UnscheduledConsigneeGoodsReceipt

**Mail.XML™ 4.0 Specifications**

**Messages Supported by the PostalOne! system and FAST in Mail.XML 4.0**

The PostalOne!-FAST Mail.XML Web Services will support the following groups of messages in Mail.XML 4.0:

Delivery Appointment Messages

This family of TM messages supports scenarios where a Shipper requests a Delivery Appointment from the Consignee. The Consignee may respond a number of ways, all of which are supported by messages from this message family. Delivery appointment messages will:

- o Provide the ability to create, update, and cancel drop ship appointments
- o Provide the ability to create, update, and cancel First-Class DMU customer transported appointments
- o Provide the ability to query the availability of slots for drop ship appointment
- o Provide the ability to query the availability of slots (based on hours of operation) for First-Class DMU/BMEU customer transported appointments
- o Provide the ability to distinguish eVS parcels and submit the associated eFile Number for which they were manifested
- o Provide the ability to support for new container types and handling units
- o Provide the ability to support the sibling containers
- o Provide the ability to associate stand-alone contents to a one-time appointment
- o Ability to provide the Intelligent Mail Container Barcodes (IMCB) associated to the appointment

Delivery Appointment Messages

DeliveryApptCreateRequest / DeliveryApptCreateResponse  
DeliveryApptUpdateRequest / DeliveryApptUpdateResponse  
DeliveryApptCancelRequest / DeliveryApptCancelResponse  
DeliveryApptQueryRequest / DeliveryApptQueryResponse

### Delivery Content Messages

This family of TM messages supports scenarios where the *PostalOne!* system sends content information to FAST without sending any appointment level information. The Consignee may respond a number of ways, all of which are supported by messages from this message family. These sets of messages apply for scheduling of drop ship appointments only.

Delivery Content messages provide the:

- Ability to create, update, and cancel stand-alone content
- Ability to create, update, and cancel contents for one-time and recurring appointments
- Ability to distinguish eVS parcels and submit the associated eFile Number for which they were manifested
- Support for new container types and handling units
- Support for sibling containers
- Ability for schedulers to query for content created by other mail owners/mail preparers
- Ability to provide the Intelligent Mail Container Barcodes(IMCB) associated to the appointment

#### Delivery Content Messages

DeliveryContentCreateRequest / DeliveryContentCreateResponse

DeliveryContentUpdateRequest / DeliveryContentUpdateResponse

DeliveryContentCancelRequest / DeliveryContentCancelResponse

DeliveryContentQueryRequest / DeliveryContentQueryResponse

### Appointment Shell Messages

This family of TM messages enables mailers to create appointment shells (appointments with no associated content). Mail owners and mail preparers can use the Delivery Content Messages to create and associate content to appointment shells. This family of messages allows for joint scheduling between schedulers and mail owners and mail preparers.

Appointment Shell messages will provide the:

- Ability to create, update, and cancel recurring appointment shells
- Ability to create, update, and cancel one-time appointments shells
- Ability to update the logistics information of an appointment by utilizing the appointment shell update message

#### Appointment Shell Messages

DeliveryApptShellRequest / DeliveryApptShellResponse

DeliveryApptShellUpdateRequest / DeliveryApptShellUpdateResponse

DeliveryApptShellCancelRequest / DeliveryApptShellCancelResponse

### Recurring Appointment Query Messages

This family of TM messages allows mailers to query for active and pending recurring appointments. Recurring Appointment query messages will provide the:

- Ability to query for active and pending drop ship recurring appointments
- Ability to query for active First-Class DMU/BMEU verified customer transported appointments

Recurring Appointment Query Messages

RecurringApptQueryRequest / RecurringApptQueryResponse

Appointment Closeout Messages

This series of messages is pushed from the Consignee to the Shipper closeout an appointment. Closeout Messages will provide the:

- o Ability to send closeout information for First-Class DMU/BMEU verified customer transported appointments
- o Ability to send closeout information for drop ship appointments
- o Ability to communicate closeout irregularities
- o Ability to communicate arrival date/time, unload start date/time, unload end date/time, and actual pallet counts
- o Ability to indicate if an appointment was part of a multiple appointment
- o Ability to communicate if a drop ship appointment will be excluded from rating

Appointment Closeout Messages

AllDeliveryAppointmentCloseoutRequest  
 ConsigneeGoodsReceipt  
 UnscheduledConsigneeGoodsReceipt

**1.3 Additional Rules/Constraints**

The following section outlines the specific rules and constraints for USPS implementation. For additional details regarding the calculations used for Appointment Rating, online supported functionality vs. Web Services supported functionality, etc., please refer to the *FAST User Guide*.

- A mailer must submit an appointment using the facility's local time (taking time zone and daylight savings into consideration) and FAST will respond using the same logic.
- The following outlines the list of possible values for Appointment Types, Mail Classes, Processing Categories, PreSort Levels and Rate Types for the Delivery Appointment Query Request, Delivery Appointment Request (renamed to Delivery Appointment Create Request in Mail.XML 4.0) and Delivery Appointment Update Request. Also included in the PreSort list is a breakdown of whether the content tied to that PreSort will be treated as Working or Cross Dock for volume availability calculations.

<b>Appointment Type (apptTypeType)</b>		
<b>Code</b>	<b>Description</b>	<b>Supported?</b>
1	Pallet	Yes
2	DropAndPick	Yes
3	Speedline	Yes
4	Bedload	Yes

<b>Mail Class (mailClassType)</b>		
<b>Code</b>	<b>Description</b>	<b>Supported?</b>
1	First-Class Mail	Yes
2	Periodicals	Yes
3	Standard Mail	Yes
4	Packaged Services	Yes



6 Standard/Periodicals Co-Mailings Yes\*

\* **NOTE:** Standard/Periodicals Co-Mailings content will be processed by FAST as Standard content. Currently, the *PostalOne!* system does not Co-Mailing Class “6” due to postage implications. As a result, the *PostalOne!* system will not populate Mail Class “6” from Mail.dat files into the TM Spec because files with that mail class fail validation.

<b>Processing Category (processingCategoryType)</b>		
<b>Code</b>	<b>Description</b>	<b>Supported?</b>
LT	Letter	Yes
FL	Flat	Yes
CD	Card	Yes*
PF	Parcel, First-Class Mail	Yes
MP	Machineable Parcel	Yes
IR	Irregular Parcel	Yes
OS	Outside Parcel	Yes
CM	Custom Mail	No
NA	Not Flat-Machinable < 6oz	Yes
NB	Not Flat-Machinable >= 6oz	Yes
NP	Non Machinable Parcels	Yes

\* **NOTE:** Processing Category of “CD” (“Card”) is translated to “LT” (“Letter”) for volume availability.

<b>PreSort Types (containerLevelType)</b>			
<b>Code</b>	<b>Description</b>	<b>Supported?</b>	<b>Type</b>
A	CR-Direct	Yes	Cross Dock
B	Mixed CR in 5 Digit	Yes	Cross Dock
C	Mixed CR in 3 Digit	Yes	Working
D	CR – 5D Scheme	Yes	Cross Dock
E	DPC/3D Scheme	No	N/A
F	RDC/Scheme	No	N/A
G	5 Digit (Auto/Presort)	Yes	Working
H	5 Digit (Merged)	Yes	Working
I	5 Digit (Presort Only)	Yes	Working
J	5 Digit (Barcode Only)	Yes	Working
K	Metro Scheme	Yes	Working
L	Mixed RDC	No	N/A
M	5D Scheme (Presort)	Yes	Cross Dock
N	5D Scheme (Auto/Presort)	Yes	Cross Dock
P	5D Scheme (Barcode)	Yes	Cross Dock
Q	5D Scheme (Merged)	Yes	Cross Dock
R	3 Digit (Auto/Presort)	Yes	Working
S	3 Digit (Barcode)	Yes	Working
T	3 Digit (Presort)	Yes	Working
U	3 Digit (CR/Auto/Presort)	Yes	Working
V	3 Digit Scheme	Yes	Working
W	Unique 3 Digit	Yes	Working
X	SCF	Yes	Working
Y	Protected SCF	Yes	Working
Z	ADC	Yes	Working
AA	AADC	Yes	Working

<b>PreSort Types (containerLevelType)</b>			
<b>Code</b>	<b>Description</b>	<b>Supported?</b>	<b>Type</b>
AB	Mixed ADC	Yes	Working
AC	Mixed AADC	Yes	Working
AD	ASF	Yes	Working
AE	BMC	Yes	Working
AF	Protected BMC	Yes	Working
AG	Mixed BMC	Yes	Working
AJ	Single Piece	No	Working
BA	Urban Direct	No	N/A
BB	Rural Direct	No	N/A
BC	Station	No	N/A
BD	City	No	N/A
BE	FSA	No	N/A
BF	DCF	No	N/A
BG	FCP	No	N/A
BH	Province	No	N/A
BI	Residual	No	N/A
BJ	Foreign	No	N/A
BK	Country	No	N/A
BL	Mixed Country	No	N/A
BM	M Bags	No	N/A

<b>Rate Type (rateTypeType)</b>		
<b>Code</b>	<b>Description</b>	<b>Supported?</b>
B	Bound Printed Matter	Yes
D	Parcel Select	Yes
F	Media	Yes
L	Library	Yes
P	Parcel Post	No

**NOTE:** The mailClassType, processingCategoryType, containerLevelType, and rateTypeType fields are all contained in the USPS Summarization block. Each Delivery Appointment Query Request, Delivery Appointment Request (renamed to Delivery Appointment Create Request in Mail.XML 4.0), Delivery Appointment Update Request, Delivery Appointment Content Create Request (renamed to Delivery Content Create Request in Mail.XML 4.0) and Delivery Appointment Content Update Request (renamed to Delivery Content Update Request in Mail.XML 4.0) can contain more than one USPS Summary block. If a single USPS Summary block within these messages contains an unsupported type for any of these fields, the entire message will be rejected. In addition, a Return Code/Description will be returned for each violation.

- Only the following fields will be populated with new data in the response messages. All other information will simply be populated based on what was originally sent in the request message.
  - Delivery Appointment Query Response
    - All available appointment(s) are populated in a one to many AvailableAppt element in the ApptBlock block.
    - ReturnInfo block containing CIN Warnings if any have occurred.
    - If no Appointment matches are found, the ReturnInfo block containing one to many return code/description combinations is populated.

- Delivery Appointment Acceptance Response
  - The ScheduledAppt element in the ApptBlock block is populated.
  - The ConsigneeApptID in the ResponseMsgHeaderInfo block is populated.
  - The ConsigneeMultiStopID in the ResponseMsgHeaderInfo block is populated if the Appointment is tied to a Multistop.
  - ReturnInfo block containing CIN Warnings if any have occurred.
- Delivery Appointment Rejection Response
  - ReturnInfo block containing one to many return code/description combinations is populated.
- Delivery Appointment Update Acceptance Response
  - The ScheduledAppt element in the ApptBlock block is populated.
  - ReturnInfo block containing CIN Warnings if any have occurred.
- Delivery Appointment Update Rejection Response
  - ReturnInfo block containing one to many return code/description combinations is populated.
- Delivery Appointment Cancellation Response
  - The CancelConfirmID element if the Appointment was canceled successfully is populated. Otherwise, a ReturnInfo block containing one to many return code/description combinations is populated.
- Delivery Appointment Content Accept Response (renamed to Delivery Content Accept Response in Mail.XML 4.0)
  - The ConsigneeContentID in the ContentUSPSSummaryUpdate block is populated.
  - ReturnInfo block containing CIN Warnings if any have occurred.
- Delivery Appointment Content Reject Response (renamed to Delivery Content Reject Response in Mail.XML 4.0)
  - The ReturnInfo block containing one to many return code/description combinations is populated.
- Delivery Appointment Content Cancel Response (renamed to Delivery Content Cancel Response in Mail.XML 4.0)
  - A CancelConfirmID is populated if the content is cancelled.
  - If the content cannot be cancelled, the ReturnInfo block containing one to many return code/description combinations is populated.
- Delivery Appointment Shell Accept Response
  - The PreferredAppt element in the ApptBlock block is populated with the actual appointment date/time of the Scheduled appointment.
  - The ConsigneeApptID in the ResponseMsgHeaderInfo block is populated.
    - 9-digit numeric ID will be returned for one-time appointment

- 5-digit numeric ID followed by the “R” character will be returned for recurring sequences
  - The OptionalAppt field is not returned in the response message.
- Delivery Appointment Shell Reject Response
  - ReturnInfo block containing one to many return code/description combinations is populated.
- Delivery Appointment Shell Cancel Response
  - A CancelConfirmID is populated if the appointment shell is cancelled.
  - If the appointment cannot be cancelled, the ReturnInfo block containing one to many return code/description combinations is populated.
- Delivery Content Query Response
  - A USPSSummary block for each active content is populated.
  - If no Appointment matches are found, the ReturnInfo block containing one to many return code/description combinations is populated.
  - 5-digit Scheduler IDs will be returned in place of full Scheduler IDs for all mail preparers and mail owners. A full Scheduler ID will be returned if the Scheduler ID is the same as the requestor’s Scheduler ID or the creator’s Scheduler ID
- Recurring Content Query Response
  - A RecurringApptBlk block for each active or pending recurring sequence is populated.
  - A USPSSummary block for each active content is populated.
  - If no Recurring Appointment matches are found, the ReturnInfo block containing one to many return code/description combinations is populated.
  - 5-digit Scheduler IDs will be returned in place of full Scheduler IDs for all mail preparers and mail owners. A full Scheduler ID will be returned if the Scheduler ID is the same as the requestor’s Scheduler ID or the creator’s Scheduler ID
- The IDEAlliance specification allows for an unlimited number of USPS Summary blocks to be supplied in the Detail Information block. However, the maximum number of USPS Summary blocks allowed in any given message is 100.
- The IDEAlliance spec allows a Pallets block within a given USPSSummary block to contain both Presort counts and non Presort counts. For the USPS implementation, all non Presort counts must be added together and summarized into a single Pallets block. For example:

The IDEAlliance spec allows for the following:

Pallets Block 1: pallet count = 17  
Presort 1: 5 digit, Count = 4  
Presort 2: 3 digit, Count = 7

The USPS implementation requires the pallets to be broken into two Pallets blocks:

Pallets Block 1: Count = 11  
Presort 1: 5 digit, Count = 4  
Presort 2: 3 digit, Count = 7

Pallets Block 2: Count = 6; No presort records

**NOTE:** If the total presort counts do not equal the pallet block count for a pallet block, an error message will be returned.

- The IDEAlliance specification allows actual piece count to be provided for presort and non presort counts. FAST will only use the actual piece count for volume if it is provided for all presorts and non presorts for a given USPSSummary block.

FAST will use the Actual Piece count for the following USPSSummary block scenario:

Pallets Block 1: Count = 10  
Presort 1: 5 digit, Count = 5, Actual Piece Count = 100  
Presort 2: 3 digit, Count = 5, Actual Piece Count = 100

FAST will NOT use the Actual Piece count for the following USPSSummary block scenario:

Pallets Block 1: Count = 10  
Presort 1: 5 digit, Count = 5, Actual Piece Count = 100  
Presort 2: 3 digit, Count = 5, Actual Piece Count Not Provided

FAST will NOT use the Actual Piece count for the following USPSSummary block scenario:

Pallets Block 1: Count = 5, Actual Piece Count = 100  
Pallets Block 2: Count = 5, Actual Piece Count Not Provided

- The IDEAlliance specification allows multiple UniqueContainerBarcode elements to be included in a single USPS Summary block. The USPS implementation will store all UniqueContainerBarcode elements and will validate for uniqueness. Uniqueness is validated based on a 45-day timeframe. UniqueContainerBarcodes associated to an appointment that was scheduled for 45 days in the past or for an appointment that has been cancelled or rejected are considered valid for re-use. If an appointment is no-showed, all associated UniqueContainerBarcodes are valid again after 12 days (288 hours).
- The IDEAlliance specification allows multiple SiblingBarcode elements to be included in a single USPS Summary block. The USPS implementation will store all SiblingBarcode elements and will validate for uniqueness. Uniqueness is validated based on a 45-day timeframe
- The IDEAlliance specification allows for the SiblingBarcode and the UniqueContainerBarcode to be between 1 and 24 characters. FAST requires that the SiblingBarcode and the UniqueContainerBarcode be 21 characters and begin with "99M".
- The IDEAlliance specification allows multiple OptionalAppt elements to be included in a single Appointment block. The USPS implementation will only use the first OptionalAppt element and others will be ignored. In addition, the OptionalAppt element will only be supported for the Delivery Appointment Query Request message.
- The Facility Number should be populated with the facility Locale Key (characters 2-7 of the drop site key).
- The VerificationZip4 element in the Mail.dat Summarization block is not required in the IDEAlliance specification. However, it is a required element for the USPS implementation when using the Mail.dat Summarization block because the VerificationZip4 element must be provided in order to retrieve the actual Mail.dat data.
- Before any message is sent that requires the *PostalOne!* system to populate information from Mail.dat data, the Shipper must ensure the Mail.dat data that corresponds to the Appointment is up to date in the *PostalOne!* system prior to sending a Web Services request.

- The Perishable element is a required field in the USPSSummary block. It does not exist in the Mail.dat. The *PostalOne!* system will set the Perishable element value to 'No' when the *PostalOne!* system populates an USPSSummary block with Mail.dat data.
- For the Customer Registration Process, the user belonging to a Shipper must identify and verify his/her company's correct corporate HQ location ZIP (e.g., 22202-6761-000). The *PostalOne!* system will generate a 12-byte field for that 9 digit Scheduler Corporate ZIP+4, e.g., 222026761000. The last three digits of a Scheduler Corporate ID will always be 000 (three zeros). This 'SchedulerCorporateID' will be provided by the *PostalOne!* system to all shippers via e-mail and it will be sent to the *PostalOne!* system with every Web Services transaction by the shipper. Each User must also be assigned a 'SchedulerID' by the *PostalOne!* system, which will be used to uniquely identify the scheduler entity. The 'SchedulerID' will be generated in the background and shown to the user on the screen.

The Scheduler ID will also be e-mailed to the user/Scheduler/Shipper, so Shipper can always ensure the correct 'SchedulerID' is always part of every Web Services message that is sent to USPS for identification purposes. The Scheduler entity can be an internal business role within a Shipper's organization and will be tied to the Shipper's corporate headquarters for FAST to rate the Shipper's corporation. The format of the Scheduler ID will be location ZIP+4 format plus three bytes (201486791001). A unique Scheduler ID will be generated in the ZIP+4 format with appended sequence numbers (always three digits and these three digits will never be three zeros) and communicated to the user via e-mail each time for a given Scheduler entity.

For example, the *PostalOne!* system will use the following example format to identify Corp HQ and Scheduler Locations:

- 222021234000 - Corporate HQ (saved without the hyphen). Shipper **MUST not** use a hyphen (-) when sending the SchedulerCorpId to USPS. The first nine digits will be the Corporate HQ ZIP+4 and the last three digits will be sequence numbers and will always be three zeros (000).
- 222021234100 - SchedulerID or Scheduler Entity ID (business role) at a given Shipper location (saved without the hyphen). Shipper **MUST not** use a hyphen (-) when sending the SchedulerId to USPS. The last three digits will be sequence numbers and will never be three zeros.
- Do not send the same request repeatedly in succession if you did not receive an immediate response. Sending the message repeatedly with the same ShipperApptRequestID for a given SchedulerID will result in an error. If you received a Tracking ID from the *PostalOne!* system, in the first response, use that Tracking ID to retrieve your message.
- The DeliveryApptContent messages supported in TM Spec Version 2.0 can be used by Mail Owners and Mail Preparers to add/update/cancel content for an existing appointment. Schedulers should continue using the DeliveryApptRequest, DeliveryApptUpdateRequest and DeliveryApptCancelRequest messages to create/update/cancel appointments and associated content.
- The DeliveryContent messages supported in Mail.XML Version 4.0 can be used by Mail Owners and Mail Preparers to add/update/cancel:
  - Stand-alone content. FAST shall treat the content as stand-alone content if the ConsigneeApptID is not provided in the request message.
  - One time content for an existing appointment. FAST shall treat the content as one time content if the ConsigneeApptID provided in the request message is a 9-digit appointment ID.
  - Recurring content for an existing recurring sequence. FAST shall treat the content as recurring content if the ConsigneeApptID provided in the request message is a 5-digit recurring sequence ID followed by the character "R".

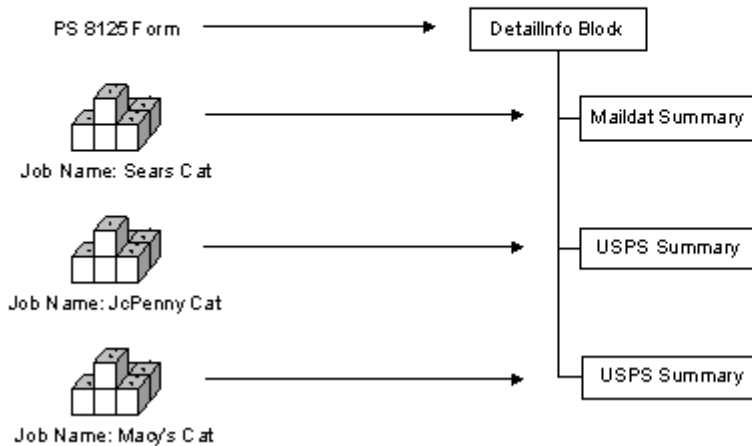
- The DeliveryApptContentUpdateRequest (renamed to DeliveryContentUpdateRequest in Mail.XML 4.0) and DeliveryApptContentCancelRequest (renamed to DeliveryContentCancelRequest in Mail.XML 4.0) messages may only be used to update/cancel content that was created using the DeliveryApptContentCreateRequest (renamed to DeliveryContentCreateRequest in Mail.XML 4.0) message.
- The DeliveryApptShellUpdateRequest may be used to update one time and recurring appointment-level detail for an appointment with associated content, however, it may not be used to update the Facility of an appointment if the appointment has associated content. The DeliveryApptShellUpdateRequest may only be used to update the facility for one time and recurring appointments with no associated content.
- The DeliveryApptShellCancelRequest may only be used to cancel one time appointment shells that have no associated content. The DeliveryApptCancelRequest should be used for any appointments that have associated content. The DeliveryApptShellCancelRequest may be used to cancel any recurring appointment that was previously created via Web Services.
- An appointment created using TM Spec Version 2.0 may be updated using Mail.XML Version 4.0. An appointment created using Mail.XML Version 4.0 may not be updated using TM Spec Version 2.0.
- A content created using TM Spec Version 2.0 may be updated using Mail.XML Version 4.0. A content created using Mail.XML Version 4.0 may not be updated using TM Spec Version 2.0. A content using TM Spec Version 2.0 may not be added to an appointment which was last updated using Mail.XML Version 4.0.
- The IDEAlliance specification allows multiple AdvanceMailingID elements to be included in a single USPSSummary block. FAST will only use the first AdvanceMailingID element and others will be ignored.
- The DetailInfo block is required in the DeliveryContentQueryResponse in TM 2.0 and therefore will always be part of the response message. In the case that an error is returned in the ReturnInfo block and no content is retrieved, the DetailInfo block will not contain any data. In Mail.XML 4.0 the DetailInfo block will not be provided in the case of an error.
- The SchedulerContentID in the DeliveryApptContentCreate (renamed to DeliveryContentCreate in Mail.XML 4.0), DeliveryApptContentUpdate (renamed to DeliveryContentUpdate in Mail.XML 4.0) and DeliveryApptContentCancel (renamed to DeliveryContentCancel in Mail.XML 4.0) messages is an ID generated by the Scheduler and should be numeric with no alpha-characters.
- For TM Spec 2.0 and Mail.XML 4.0 messages, the SchedulerContentID may be populated by the customer with a 12 digit (or less) numeric value. In the case that the SchedulerContentID is not populated in a MailDatSummary block, the *PostalOne!* system will populate SchedulerContentID in both the MailDatSummary block and the corresponding USPS Summary block with a *PostalOne!*-generated alphanumeric field consisting of P followed by a sequence of 11 digits or less. The SchedulerContentID will be populated in response messages with this value.
- The FullContentReplacement field in the header of the DeliveryContentUpdateRequest may only be "Yes" if a ConsigneeApptID is provided. If the FullContentReplacement field is "Yes" FAST will cancel all contents on an appointment which were created by the SchedulerID provided. If a ConsigneeContentID is provided in the DeliveryContentUpdateRequest then the content will be updated and not canceled.
- The PickupOrDelivery element is required in the RequestMsgHeaderInfo, ResponseMsgHeaderInfo and ResponseApptUpdateMsgHeaderInfo. FAST will only support requests messages with "Delivery" as a value for PickupOrDelivery. FAST will ignore "Pickup" as a value for PickupOrDelivery and always treat it as "Delivery".

- The IDEAlliance specification allows for MixedLengthTrays to be a valid palletHandlingUnitType for First-Class mail. FAST shall convert all MixedLengthTrays to 2' Trays for First-Class mail.
- The ConsigneeApptID, ScheduledInductionDate, MailPreparerID, LogisticsSchedulerID and LogisticSchedulerCorpID are not required in the DeliveryContentCreateRequest and DeliveryContentUpdateRequest messages. FAST requires either the ConsigneeApptID or all of the following fields be populated: ScheduledInductionDate, MailPreparerID, LogisticsSchedulerID and LogisticSchedulerCorpID.
- FAST will be supporting First-Class as a MailClass in the DeliveryApptCreateRequest, DeliveryApptUpdateRequest and DeliveryApptQueryRequest. However FAST will not support a mix of both First-Class and drop ship contents on the same appointment.
- The IDEAlliance specification allows for all enumerations of palletType regardless of the MailClass. FAST requires that the Standard, Package Services, Periodicals and Standard/Periodicals Co-Mailings contents have a palletType of "Pallet". All enumerations of palletType will be accepted for First Class contents.

**Detail Info Block**

**PostalOne! will be support the following method to populate the DetailInfo Block**

**PostalOne! Option:** Shipper uses a DetailInfo Block to represent a PS 8125 Form  
 Shipper uses a USPSummary or MaildatSummary block to represent a mail job .



**1.4 Multistop Support**

The following is a breakdown of what is supported in the initial release from a Multistop perspective:

**FAST Online Application**

1. Create a new Appointment and associate it to a new Multistop.
2. Create a new Appointment and associate it to an existing Multistop.
3. Disassociate an existing Appointment from a Multistop (the Appointment is still active but it is no longer associated with a Multistop).
4. Cancel the entire Multistop and therefore cancel all Appointments associated with that Multistop.

**Web Services**

1. Create a new Appointment and associate it to a new Multistop.
2. Create a new Appointment and associate it to an existing Multistop.

**NOTES:**



- An Appointment tied to a Multistop cannot be directly disassociated from that Multistop via Web Services. The Appointment will have to be canceled and rescheduled without the Multistop information OR the Appointment can be disassociated online.
- An existing Appointment cannot be added to an existing or new Multistop through online or Web Services. In both cases, the Appointment will have to be canceled and rescheduled with the Multistop information.
- Note that anytime an Appointment is canceled, the overall Corporate rating may be impacted. Please see Mailer/Appointment Rating section of the FAST User Guide for more details on the rating calculation.

## 1.5 Error Codes/Return Values

The IDEAlliance “TM-Spec-<TM Spec version>Faults” specification outlines a set of possible Return Code Values for that TM Spec version. Below is an outline of the Return Code Values that are supported in initial version of the USPS implementation. The IDEAlliance specification also allows for implementation specific Return Code Values to be defined. The USPS implementation-specific Return Code Values are also listed below.

IDEAlliance Return Code Values		
Code	Description	Supported?
1000	Invalid Scheduler ID for Scheduler Corp ID	Yes
1001	Invalid Scheduler Corp ID	Yes
1002	Unrecognized Facility	Yes*
1003	Appt Type not supported by the facility	No
1004	Invalid ConsigneeApptID	Yes
1005	Invalid Multistop ID	Yes
1006	Duplicate Unique Container ID's	Yes
1007	Appt Type not supported by Consignee	No****
1008	Appt Type not supported by facility	No
1009	No slots available for that time / type – dock limit	Yes
1010	The volume requested for the following mail shape exceeded the maximum volume: <Mail Shape>	Yes*
1011	Web Services/Online Appointments must be scheduled at least 1 hour in advance	Yes*
1012	Appointments may only be scheduled up to 14 days in advance	Yes*
1013	Appt type limits exceeded	No
1014	Outside consignee defined timeframes for update/cancel	No**
1015	Update/cancel refused – appointment closed/canceled	Yes
1016	Unrecognized Appointment – field combinations do not match consignee data (generic)	No
1017	Customer and Consignee Appointment ID do not correspond	Yes*
1018	Requested appt date/time is past	Yes
1019	Update/Cancel not allowed, past consignee editable time threshold	No**
1100	Mail.dat User License Code not supported by receiver	Yes
1101	Mail.dat Job ID not in consignee database	Yes
1102	Mail.dat DatabaseContainerID not in consignee database	Yes
1103	Mail.dat Verification Zip+4 not in consignee database	Yes
1200	News content is only valid when Mail Class is Periodicals	Yes*
1201	Perishable content is only valid when Mail Class is Package Services	Yes*
1202	Invalid Mail Shape/ Handling Unit combination	Yes
1203	In Home Start Date must be earlier than the In Home End Date	Yes*
1300	Mail Class not supported by Consignee	Yes
1301	Processing Category not supported by Consignee	Yes

1302	Presort Level not supported by Consignee	Yes
1303	Mail Class not supported by Facility	No
1304	Processing Category not supported by Facility	No
1305	Presort Level not supported by Facility	No
1306	Rate Type and Postal class are inconsistent.	Yes
1307	RateType Not Supported by Consignee	Yes ****
1400	Generic Update	No***
1401	Content Property Update	No***
1402	Content Change	No***
1403	ETA Update	No***
1404	Action Requested by Consignee	No***
1405	Delivery Appt Cancelled per request of consignee	Yes
1406	Product combined into another existing appointment	Yes
1407	Major change in expected delivery window	Yes
1408	Product not available	Yes
1409	Appt made in error – human error	Yes
1500	Invalid Tracking ID	Yes
1501	Tracking ID does not Match with Shipper	Yes
1502	Come Back Later	Yes*****
1503	Invalid RequestorSchedulerID for RequestorSchedulerCorpID	Yes
1504	Invalid RequestorSchedulerCorpID	Yes
1505	Appointment Closeout information unavailable	Yes

\* - Indicates that the description listed is a more specific USPS description than what is outlined in the IDEAlliance specification.

\*\* - Indicates that this specific code will not be returned but that either the 1011, 1012 or 3010 code will be returned instead, depending on what timeframe rule was violated.

\*\*\* - These codes will not be stored or used to implement any business logic in the current USPS implementation.

\*\*\*\* - This specific code will not specifically be supported because the USPS Implementation supports all Appointment types outlined in the IDEAlliance specification. Therefore, if a request is received that contains an invalid Appointment type it will simply fail XSD validation and a Fault block will be returned.

\*\*\*\* - Indicates that this code will be returned if Parcel Post is sent in. The Rate Type Parcel Post will be supported by FAST in the future.

\*\*\*\*\* - This indicates Mailer need to come back again to get the response for the Tracking ID request. This code is returned on TMSpec 1.3 XSD and above.

**NOTE:** Error Codes 1405-1409 may be provided in the ReturnInfo block of a DeliveryApptCancelRequest, DeliveryApptShellCancelRequest or DeliveryApptContentCancelRequest to indicate the cancellation reason.

<b>PostalOne! – FAST Return Code Values</b>	
<b>Code</b>	<b>Description</b>
3000	Scheduler ID is not valid
3001	Scheduled Appointment time must be scheduled on the hour
3002	Customer and Consignee Multistop ID do not correspond
3003	Perishable content is only valid when Processing Category (Mail Shape) is Machineable Parcel, Outside Parcel (Non-Machineable Parcel), or Irregular Parcel
3004	Optional Appointment Start Time must be before the Optional End Time
3005	Optional Appointment Start Time must be within 8 hours of the Optional End Time

PostalOne! - FAST Web Services Technical Guide

3006	The time difference between the first and last appointment of a multi-stop must be within 24 hours
3007	Appointment date/time must be earlier than In Home Start Date
3008	Number of USPSSummary blocks exceeded maximum limit of 100
3009	A Speedline Appointment cannot have more than 6 pallet positions
3010	Appointments must be updated at least 1 hour in advance
3011	Facility does not accept drop shipments.
3012	An appointment with this Scheduler ID and Scheduler Appointment Request ID already exists
3013	Valid content count must be present for each USPS Summary block
3014	You have experienced an error with the application. Please contact your FAST or Web Services system administrator for help
3015	A Pallet Appointment must have a Count of Pallets Containing Trays, Sacks, Bundles or Parcels
3016	Bedload and Drop and Pick Appointments may not have a Count of Pallets Containing Sacks, Trays, Bundles, or Parcels
3017	A Speedline Appointment may not have a Bedloaded Tray, Sack, Bundle or Parcel Count
3018	<p>Default Facility:  <u>Error Message Format:</u>                      &lt;CIN Group&gt; are not accepted at this facility. Please create an appointment at &lt;NASS Code – Facility Name&gt;.</p> <p><u>Error Message Example:</u>                      Standard/Flats are not accepted at this facility. Please create an appointment at 100 – New York.</p> <p>Non-default Facility:  <u>Error Message Format:</u>                      &lt;CIN Group&gt; are not accepted at this facility. Please refer to the Mail Direction Search Report or Drop Ship Product for the correct accepting facility.</p> <p><u>Error Message Example:</u>                      Standard/Flats are not accepted at this facility. Please refer to the Mail Direction Search Report or Drop Ship Product for the correct accepting facility.</p>
3019	A Speedline Appointment cannot have more than 24 total pallets
3020	Application cannot get response for the given tracking ID ( Refer Notes below)
3021	A USPSSummary type was not provided in any of the DetailInfo blocks (See Notes below)
3022	Invalid Mail Preparer ID
3023	Invalid Mail Owner ID
3024	Invalid Publication ID
3027	Update/cancel refused – content does not exist
3028	Invalid Mail Class for Appointment
3029	No update to Content made
3030	Publications only valid when Mail Class is Periodicals
3031	Invalid TM Spec Version
3032	Content may not be cancelled – appointment must have at least one content
3033	Invalid ConsigneeContentID
3034	Scheduler ID does not correspond to Scheduler ID for content
3035	Scheduler ID and Appointment ID do not correspond
3036	Facility ID and Appointment ID do not correspond
3037	Appointment may not be cancelled – appointment has associated content – please use the DeliveryApptCancelRequest message to cancel this appointment

3038	Invalid ConsigneeApptID – Appointment is not a Web Services appointment
3039	RecurringAppt block not supported by Consignee
3040	Update refused – may not change facility for this appointment – this appointment has associated content
3041	Web Services appointments/contents may not be cancelled greater than 24 hours past the appointment date/time
3042	Mailer has not completed testing for TM Spec Version
3043	Content update/cancel refused – content was not created by a DeliveryApptContentCreateRequest message
3044	Invalid TM Spec Version – Appointment has been previously updated with a higher version
3045	Pallet Presort Level Counts must equal Pallet Level Counts
3046	Incorrect WSDL used to send TM2.0 Appointment Message
3047	A Drop and Pick Appointment Type may not be a Multi-Stop
3048	Invalid cancellation reason
3049	Scheduler for appointment must use the DeliveryApptUpdate message to add/update content(s)
3050	Invalid Unique Container ID – Container ID must be 21-digits and begin with 99M
3051	No content associated to appointment
3052	Mailer must provide FAST content ID on update using a DeliveryApptContentUpdateRequest or a DeliveryContentUpdateRequest Message
3053	BMC discount for Periodicals is only valid for cross-docked pallets
3055	Truck lengths <range> <truck length> ft are not accepted at <NASS Code - Facility Name>. Please refer to the Mail Direction Search Report or Drop Ship Product for the correct accepting facility.
3056	Truck lengths <range> <truck length> ft are not accepted at <NASS Code - Facility Name>. Please refer to the Mail Direction Search Report or Drop Ship Product for the correct accepting facility.
3057	No slots available for the requested time/type due to tiering
3058	Number of Pallet Positions must be specified when Appointment Type is Speedline
3059	Facility cannot be modified for recurring appointment instances.

- Return code 3018 refers to the Appointment Scheduling and Management Drop Ship Product Validation Process. The new functionality will provide online validation to verify if the selected facility can accept the mail contents on the requested appointment. FAST will utilize the drop ship product ZIP/CIN file. If an appointment passes the CIN group (mail class/mail shape combinations) validation, normal processing will continue as it does today; however, if it fails the CIN group validation, an error message or warning message will be displayed. The error message will notify the user of the type of content(s) that cannot be accepted at the specified facility and which facility those contents should be redirected to for processing. The warning message will notify the user that potential redirections may exist and provides additional facility information for the user to reference. In both cases, the user is provided a hyperlink to the 'facility profile – additional information' page to view specific redirections.
- Return code 3020 is used to indicate the application cannot get a response for this 'TrackingID'. The reason could be the Mailer is using the 'TrackingID' for which they have already obtained a response. This code is supported TMSpec XSD 1.3 and above. This is related to another code, 1502, which indicates the response is not available now and the Mailer need to come back again later to get a response.
- Return code 3021 is used to indicate that the XML message does not contain any USPSSummary blocks in any of the DetailInfo blocks. USPSSummary blocks provide content information, and appointment create, update, and query messages cannot be processed without content information. Thus, at least one USPSSummary block must be present in at least one DetailInfo block.

- Error Codes 3025 and 3026 are not included because they are used for Mail.dat Recurring Content Notifications as Error Codes specific to this message type that FAST sends to the PostalOne! system.
- Error Codes 3025 and 3026 are not used because they are used for Mail.dat Recurring Content Notification messaging specific errors.
- Error Codes 3022 and 3023 are used to validate that the Mail Preparer ID and any Mail Owner IDs are valid FAST Scheduler IDs.
- Error Code 3031 would be returned in a Fault Response.
- Error Code 3028 is used to indicate whether the mail class for a content is accepted for the appointment. When an appointment shell is created, the Scheduler indicates which Mail Classes are accepted for that appointment. When a DeliveryApptRequest or DeliveryApptUpdateRequest is made, only contents with the same mail class as existing contents for that appointment may be added using the DeliveryApptContent message request and update types.
- Error Code 3034 is used if a Scheduler who is not associated to the same corporation as the Scheduler who created the content attempts to update or cancel the content.
- Error Codes 3035 and 3036 are used to validate that the Scheduler ID and Facility ID match the Appointment ID given in a Delivery Content Query message.
- Error Code 3037 is returned if a DeliveryApptShellCancelRequest is sent to cancel an appointment that has associated content. The DeliveryApptCancelRequest should be used in this scenario.
- Error Code 3046 Mailers will receive this error message if they used incorrect WSDL to send TM V2.0 Appointment messages.

<b>PostalOne! – FAST Additional Return Code Values Supported for Mail.XML 4.0</b>	
<b>Code</b>	<b>Description</b>
3060	Effective Start Date must be 14 days in the future
3061	Effective Start Date must be before the Effective End Date
3062	Invalid DayFrequency/WeekFrequency Combination. A DayFrequency of Daily must have a WeekFrequency of Weekly
3063	eVS Indicator is only valid when Processing Category (Mail Shape) is Machineable Parcel, Outside Parcel (Non-Machineable Parcel), or Irregular Parcels
3064	eVS Indicator is only valid when Mail Class is Standard, Package Services or First-Class
3065	eFile Number is only valid when eVS Indicator is Yes
3066	The eFile Number must be 22 digits
3067	Priority Mail Indicator is only valid when Mail Class is First-Class
3068	<Pallet Type> is only valid when the Mail Class is First-Class
3069	Either the appointment ID or all of the following fields are required: scheduled induction date, mail preparer ID, logistic scheduler ID and logistic scheduler Corp ID
3070	Scheduled Induction Date cannot be in the past
3071	Invalid Logistic Scheduler ID
3072	Invalid Requestor Scheduler ID
3073	Invalid Requestor Scheduler Corp ID
3074	Invalid Requestor Scheduler ID for Requestor Scheduler Corp ID
3075	Invalid TM Spec Version - Content has been previously updated with a higher version
3076	Invalid Creator Scheduler ID for Creator Scheduler Corp ID
3077	Invalid Creator Scheduler Corporate ID
3078	Creator Scheduler ID is not valid
3079	Facility Locale Key is required for this message

<b>PostalOne! – FAST Additional Return Code Values Supported for Mail.XML 4.0</b>	
<b>Code</b>	<b>Description</b>
3080	Invalid SchedulerContentID/ConsigneeContentID combination
3082	ConsigneeApptID is required to update associated content
3083	Content has been previously associated to an appointment
3084	Invalid SchedulerID – Scheduler ID provided is not the Logistic Scheduler
3085	No more than 100 Contents may be associated to a single appointment
3086	The total volume of Bedload contents may not exceed 9999
3087	The total volume of Pallet, Hamper, APC/ERMC and Wire Container contents may not exceed 9999
3088	Invalid SchedulerContentID
3089	Appointment Time not within Facility hours of operation
3090	The only valid handling units for a First-Class Appointment are 1' Tray, 2' Tray, EMM Tray, Flat Tub, Parcels and Sacks
3091	Consignee does not accept First-Class appointments at this facility
3092	Unable to associate stand-alone content (ConsigneeContentID <Content ID>) - content cancelled
3093	Your search did not return any result
3094	A recurring appointment with this Scheduler ID and Shipper Appointment Request ID already exists.
3095	Effective End Date must not be greater than 12/31/2999
3096	Invalid Recurring Frequency
3098	The Priority Mail indicator is only valid on First-Class Contents
3099	At least 1 Pallet/Bedload count must be provided
3102	The Postal Service does not deliver on Sunday therefore, an In-Home Date may not start or end on a Sunday
3103	Invalid Logistic Scheduler Corp ID
3104	Invalid Logistic Scheduler ID for Logistic Scheduler Corp ID
3105	Full content replacement is only valid when the Consignee Appointment ID is provided
3106	Consignee does not support <Mail Class> for this message type.
3107	Update/Cancel Refused – Content is Closed/Cancelled
3108	Appointment can not contain both drop ship and First-Class contents

## 1.6 Warning Codes and Descriptions

The following Warnings are returned in the ReturnInfo block of accept messages where they occur. This applies to the following message types:

DeliveryApptAcceptResponse  
 DeliveryApptUpdateAcceptResponse  
 DeliveryApptQueryResponse  
 DeliveryApptContentCreateAcceptResponse  
 DeliveryApptContentUpdateAcceptResponse  
 DeliveryContentCreateAcceptResponse  
 DeliveryContentUpdateAcceptResponse  
 DeliveryApptShellUpdateResponse

<b>PostalOne! – FAST Warnings Supported for TM Spec Version 2.0 and Mail.XML 4.0</b>		
<b>Code</b>	<b>Warning Description Text</b>	<b>Warning Explanation</b>
4000	Some < CIN group > are accepted at this Facility. Please refer to the Mail Direction Search Report or Drop Ship Product for the correct accepting facility.	If scheduling at a default facility that has a complete redirection, but not all discounts or ZIP Codes (in the case of Delivery Units) are redirected.

<b>PostalOne! – FAST Warnings Supported for TM Spec Version 2.0 and Mail.XML 4.0</b>		
<b>Code</b>	<b>Warning Description Text</b>	<b>Warning Explanation</b>
4001	Some < CIN group > are redirected to < redirect facility >. Please refer to the Mail Direction Search Report or Drop Ship Product for the correct accepting facility.	If scheduling at a redirect facility that has a complete redirection, but not all discounts or ZIP Codes (in the case of Delivery Units) are redirected.
4002	< CIN group > are being redirected to < redirect facility >. The grace period ends <grace date>.	If scheduling at a default facility that has a complete redirection, but the default grace date of this redirection has not yet expired.
4003	< CIN group > processing will no longer be performed at this facility. Please refer to the Mail Direction Search or Drop Ship Product for the correct accepting facility. The grace period ends <grace date>.	If scheduling at a redirect facility that has an expired complete redirection from a default, but that redirection is still in the grace period.
4004	This facility currently accepts <CIN group>, however, on <redirection start date>; <CIN group> will be redirected to <redirect facility>. Please adjust your appointments accordingly.	If scheduling at a default facility that currently has no complete redirections, but a new redirection will become active in 75 days or less
4005	Some < CIN group > redirections to this facility expire before < date redirection expires >. Please refer to the Mail Direction Search Report or Drop Ship Product for the correct accepting facility.	If scheduling at a redirect facility that currently has at least one redirection to it, but at least one of those redirections will expire in 75 days or less
4006	Truck lengths <range> <truck length> ft are not accepted at <NASS Code – Facility Name>. If your truck length is <range> <truck length> ft, please create an appointment at <NASS Code – Facility Name>.	If scheduling at a default facility with a truck length that falls within the truck length redirection and the default grace date that has not yet expired.
4007	Truck lengths <range> <truck length> ft are not accepted at <NASS Code – Facility Name>. If your truck length is <range> <truck length> ft, please create an appointment at <NASS Code – Facility Name>.	If an appointment is scheduled at a default facility where a truck length redirection exists and is not within the grace period and no truck length is provided for the appointment.
4008	Truck lengths <range> <truck length> ft are not accepted at <NASS Code – Facility Name>. If your truck length is <range> <truck length> ft, please refer to the Mail Direction Search Report or Drop Ship Product for the correct accepting facility.	If an appointment is scheduled at a redirect facility where a truck length redirection exists and it is within the grace period.
4009	Truck lengths <range> <truck length>ft are not accepted at <NASS Code – Facility Name>. If your truck length is <range> <truck length> ft, please refer to the Mail Direction Search Report or Drop Ship Product for the correct accepting facility.	If an appointment is scheduled at a redirect facility where a truck length redirection exists and it is not within the grace period and no truck length is provided for the appointment.
4010	BMC discount for Periodicals is only valid for cross-docked pallets.	If an appointment is scheduled for Palletized Periodicals for BMC discount.
4011	< cin group > processing will no longer be performed at this facility. Please refer to the Mail Direction Search or Drop Ship Product for the correct accepting facility. The grace period ends <grace date>.	If an appointment is scheduled at a default facility where the effective end date has expired but is still in the grace period.
4012	The Bill of Lading Number, Shipper Name and	If a leg of a multi-stop appointment is

<b>PostalOne! – FAST Warnings Supported for TM Spec Version 2.0 and Mail.XML 4.0</b>		
<b>Code</b>	<b>Warning Description Text</b>	<b>Warning Explanation</b>
	Vehicle ID will be updated for the following open appointments that are associated to multi-stop id <multi-stop id>: <appointment id list>.	created or updated, and either the Bill of Lading Number, Shipper Name or Vehicle ID is different from the existing corresponding fields for the multi-stop appointment, then this warning will appear.
4013	Your recurring appointment request has been successfully created. An email notification of the request has been sent to the facility for review. After review, an email response will be sent to you	If a recurring appointment sequence is updated in such a way that a pending request is created (e.g. content or logistics updated on a recurring appointment sequence which is not pure Periodicals.)
4014	Your recurring appointment has been successfully updated. An informational email notification of the approved request has been sent to the facility and the scheduler	If a recurring appointment sequence is updated and auto-approved (e.g. content or logistics updated on a recurring appointment sequence which is pure Periodicals.)
4015	This recurring sequence is pending facility approval	If a pending recurring appointment sequence request is returned in a RecurringApptQueryReponse.
4017	Your recurring appointment has been successfully created. Your recurring appointment currently has no contents. Appointments will not be generated for this Recurring Appointment while there are no contents.	If a recurring appointment sequence is created/updated and there is no associated content.
4018	The requested appointment date and time and in-home date are not in sync with USPS service standards. A shipment with a one day in-home date claiming a BMC discount must be scheduled to arrive by 16:00, five (5) days prior to the specified in-home date.	If standard content has an in-home date range of one day and is being scheduled at a facility that accepts BMC Standard mail.
4019	The requested appointment date and time and in-home date are not in sync with USPS service standards. A shipment with a one day in-home date claiming a SCF discount must be scheduled to arrive by 16:00, three (3) days prior to the specified in-home date	If standard content has an in-home date range of one day and is being scheduled at a facility that accepts SCF Standard mail.
4020	The requested appointment date and time and in-home dates are not in sync with USPS service standards. A shipment with an in-home date range claiming a BMC discount must be scheduled to arrive by 16:00, five (5) days prior to the second day of the in-home date range.	If standard content has an in-home date range of more than one day and is being scheduled at a facility that accepts BMC Standard mail.
4021	The requested appointment date and time and in-home dates are not in sync with USPS service standards. A shipment with an in-home date range claiming a SCF discount must be scheduled to arrive by 16:00, three (3) days prior to the second day of the in-home date range.	If standard content has an in-home date range of more than one day and is being scheduled at a facility that accepts SCF Standard mail.



Please note that any error or warning messages listed above will be limited to the acceptable field lengths provided in the TM Specification. This could cause a message to be truncated if it exceeds the acceptable field length.

## 1.7 Fault Codes

Faults	Description
320	Incompatible SOAP Protocol Version
400	Generic Request Error
401	Incomplete/Cannot Parse
402	Not Well Formed XML
403	Validation Failure
404	This Error Intentionally Left Blank
405	Unrecognized Sender
407	Unrecognized Operation
408*	Unrecognized Operation Arguments
410	Not Found
412	Unauthorized
413	Forbidden
430	Not Confirmed
431	Failure Fetching External Data
440	Sorry
500	Generic Internal Responder Error
501	Temporary Responder Problem
503	Not Implemented

\* - The fault description will contain additional info about the offending operation argument.

## 1.8 Web Service Additional Constraints

In addition to conforming to everything stated in the WSDL file, all XML inputs to the Appointment Services operations must qualify the XML elements and attributes with their associated namespace. As an example, following is a good ApptResponseRetrieval input message to the operation RetrieveAppointmentResponses:

### ApptResponseRetrievalRequest (TM2.0)

```
<maildatTM:ApptResponseRetrievalRequest
  xmlns:maildat="http://idealliance.org/maildat/Specs/md071/tm20/"
  xmlns:maildatTM="http://idealliance.org/maildat/Specs/md071/tm20/maildatTM"
  xmlns:xsi="http://www.w3.org/2001/XMLSchema-instance"
  xsi:schemaLocation="http://idealliance.org/maildat/Specs/md071/tm20/maildatTM
  maildat_transport_011907.xsd
  http://idealliance.org/maildat/Specs/md071/tm20/maildat_base_011507.xsd
">
  <maildatTM:ApptResponse maildatTM:TrackingID="1130"/>
</maildatTM:ApptResponseRetrievalRequest>
```

### ApptResponseRetrievalRequest (Mail.XML 4.0)

```
<maildatTM:ApptResponseRetrievalRequest  
  
  xmlns:mailxml="http://idealliance.org/maildat/Specs/md082/tm40/"  
  xmlns:mailxmlTM="http://idealliance.org/maildat/Specs/md082/tm40/mailxmlTM"  
  xmlns:xsi="http://www.w3.org/2001/XMLSchema-instance"  
  xsi:schemaLocation="http://idealliance.org/maildat/Specs/md082/tm40/mailxmlTM  
  mailxml_tm_072408.xsd  
  
  http://idealliance.org/maildat/Specs/md082/tm40/  
  mailxml_base_071408.xsd">  
  
  <maildatTM:ApptResponse maildatTM:TrackingID="1130"/>  
  
</maildatTM:ApptResponseRetrievalRequest>
```

## 1.9 Appointment Response Retrieval Request Processing

The *PostalOne!* system will generate the response to an `ApptResponseRetrievalRequest` based on the TM Spec version of the Request message. The Response message format has been changed between TM Spec version 2.0 and Mail.XML Spec version 4.0.

The *PostalOne!* system will provide the Web Services Users with the capability to re-request the appointment responses using the generated TrackingIDs multiple times with an ARRR within 30 days of initial response receipt from FAST. The *PostalOne!* system will provide the users with the latest FAST response when there are multiple appointment responses for the same TrackingID.

## 1.10 PostalOne! WSDL Information

To support IDEAlliance Mail.XML V4.0 Specification changes and the newly added Appointment messages types, the *PostalOne!* system has updated the WSDL information and created a new WSDL. Mailers are encouraged to use the new WSDL even if they plan to continue sending and receiving web services requests using IDEAlliance TM v2.0, as well as IDEAlliance Mail.XML v4.0 Appointment requests. The *PostalOne!* system will continue to support Appointment Messages created using the current published WSDL, which can only support TM 2.0 Appointment messages.

Mailers can access and download both versions of the *PostalOne!* WSDL from the following location: <http://www.usps.com/postalone/autodropshipschedule.htm>

## 1.11 SchedulerContentID

The *PostalOne!* system (OPS Web services) will generate `SchedulerContentID` only if the mailer has set the 'IncludeInSummarizationblock' to 'No'. OPS Web Services will generate the USPS Summary Block and reference Scheduler Content ID. The Scheduler Content ID will be an alphanumeric of the format P###... (= P & up to 11 digit sequence number). The prefixing is used to inform FAST that this Scheduler Content ID has been generated by OPS Web Services. Customer will be informed to use up to 12-digit number if they are populating this information in the appointment message.

## 1.12 Closeout Messages

FAST will generate a single closeout message for each appointment. The TM Spec version used to generate the message will be determined as follows:

Closeout messages will be generated by FAST using the latest TM Specification Version for which the scheduler has completed testing. If the scheduler has completed testing for a TM Specification Version which is no longer supported, no closeout message will be sent. The current latest supported version is Mail.XML 4.0. For example, if mailer has completed testing for Mail.XML Version 4.0 the ConsigneeGoodsReceipt/UnscheduledConsigneeGoodsReceipt will be generated using Mail.XML Version 4.0. If the mailer has completed testing for TM Spec Version 2.0 and not has completed testing for Mail.XML 4.0, the ConsigneeGoodsReceipt / UnscheduledConsigneeGoodsReceipt will be generated using TM Spec Version 2.0.

*PostalOne!* will generate the Closeout Response using the same TM Spec Version as the Closeout Request received. A customer who has completed testing for both TM Spec 2.0 and Mail.XML Version 4.0 will need to send a Closeout Request to retrieve closed appointments in the latest TM Specification Version for which they have completed testing.

TM Spec Version 2.0 Closeout requests require SchedulerCorpID (required parameter) and SchedulerID (optional parameter) to process the request. This request can be sent either with the required parameter or with both required and optional parameters.

Mail.XML4.0 Closeout requests require CreatorSchedulerCorpID(required parameter), CreatorSchedulerID(optional parameter) to process the request. This request can be sent with either the required parameter or both the required and optional parameters.

The total number of 'consignee goods receipt' and 'unscheduled consignee good receipts' included in the closeout response is currently set to a maximum of 200 messages per response.

### 1.13 Mail.dat Recurring Content Notification

Added functionality is being incorporated for customers to send content updates for FAST drop shipment and First-Class Recurring Appointment instances through Mail.dat. This messaging is strictly between the *PostalOne!* system and FAST. In order for a recurring content addition/update/cancellation to be sent to FAST, the Reservation Number (the 5-digit + 'R' FAST Recurring Sequence ID (i.e. 12345R) or 5-digit + 'R' + 4 digit FAST Recurring Appointment ID (i.e.12345R0415)) must be entered in Mail.dat as well as the 'Scheduled Induction Date' in the Container Summary (.csm) record. The 'Scheduled Induction Date' should be the date of the Recurring Appointment instance. In addition, when the data is created in Mail.dat, the FAST Recurring Content ID should be provided in the Mail.dat 'FAST Content ID' field, which is to be added in version 07-01 of Mail.dat. If this 'FAST Content ID' is not populated, the content will be added to the appointment as a new content, which may have rating implication. If all content for a recurring appointment instance is overwritten by a DeliveryApptUpdateRequest message, customers will not be able to add/update/cancel content for the FAST appointment through Mail.dat.

### 1.14 Delivery Content Query Message Default Values

For DeliveryContentQueryRequest messages referencing appointment shells, FAST populates the required fields in the USPSSummary block of the DeliveryContentQueryResponse message with:

Perishable : No  
MailClass : 1  
ProcessingCategory: PF  
NewsIndicator: No

### 1.15 Appointment Shell Cancellation Messages

FAST will support the cancellation of Appointment Shells using both the Delivery Appointment Shell Cancel Request message and Delivery Appointment Cancellation Request Message, however Appointment with contents can be cancelled using the Delivery Appointment Cancellation Request Message. Recurring appointment shells can only be cancelled using the Delivery Appointment Shell Cancel Request. Recurring appointment shells can only be cancelled using the Delivery Appointment Shell Cancel request.

## **1.16 Possible Future Enhancements**

- Currently no messages are pushed directly from the Consignee to the Shipper. In a future release, the push model may be implemented.
- In Delivery Appointment Query Response, add multiple AvailableAppt elements in the ApptBlock block.
- Currently the DeliveryApptContentCancelRequest (renamed to DeliveryContentCancel in Mail.XML 4.0) can only be used to cancel a single content. In the future, this message type may be updated to provide functionality to cancel multiple contents within a single request message.
- Currently, both TM Spec Version 2.0 and Mail.XML Version 4.0 are supported. Once an agreed upon timeframe has passed, TM Spec Version 2.0 will no longer be supported.
- Currently only one SiblingBarcode element be provided per UniqueContainerBarcode element. In the future multiple SiblingBarcode elements can be associated to a single UniqueContainerBarcode.